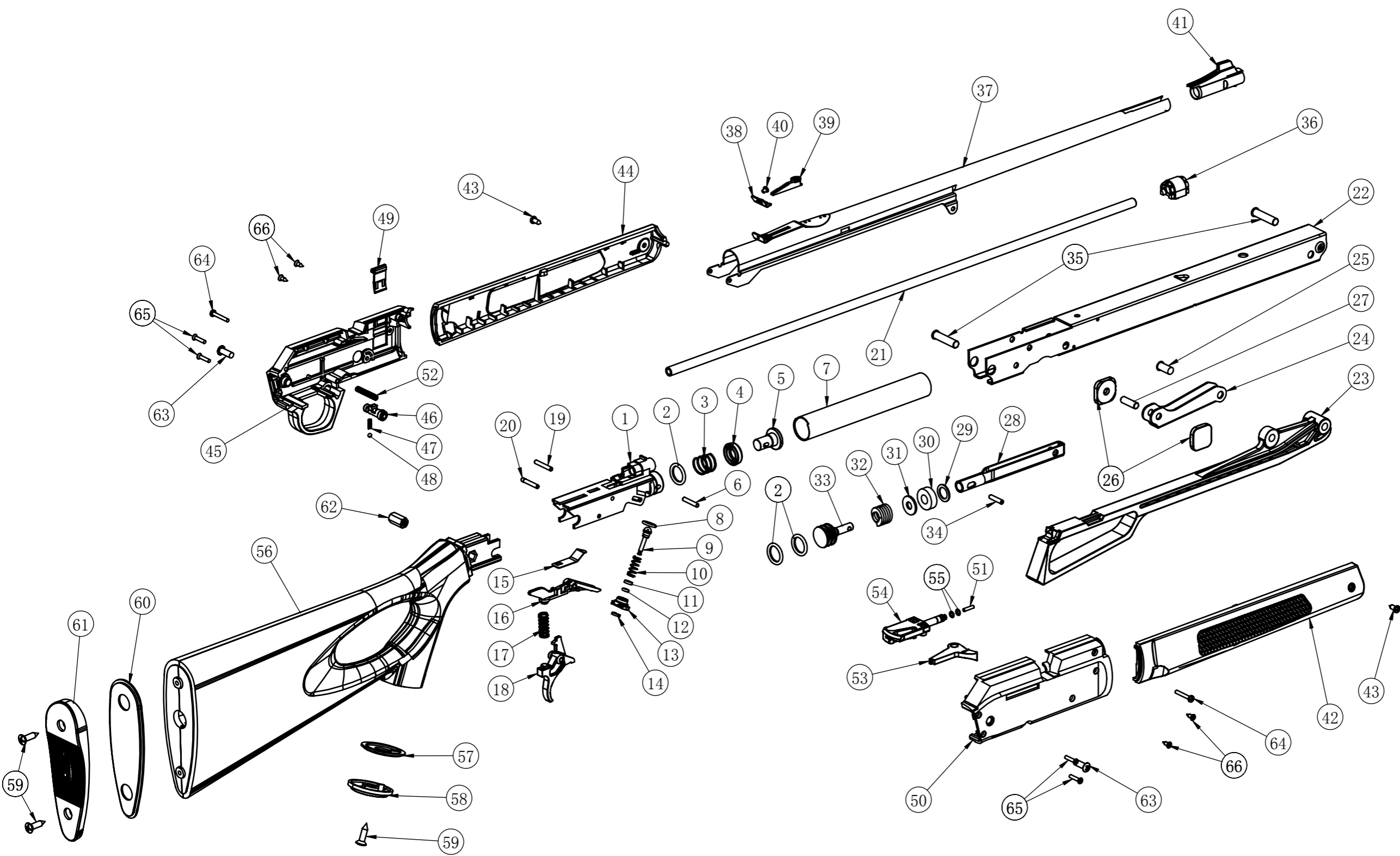


Daisy Model 1977 Exploded Diagram

Rev 04/20

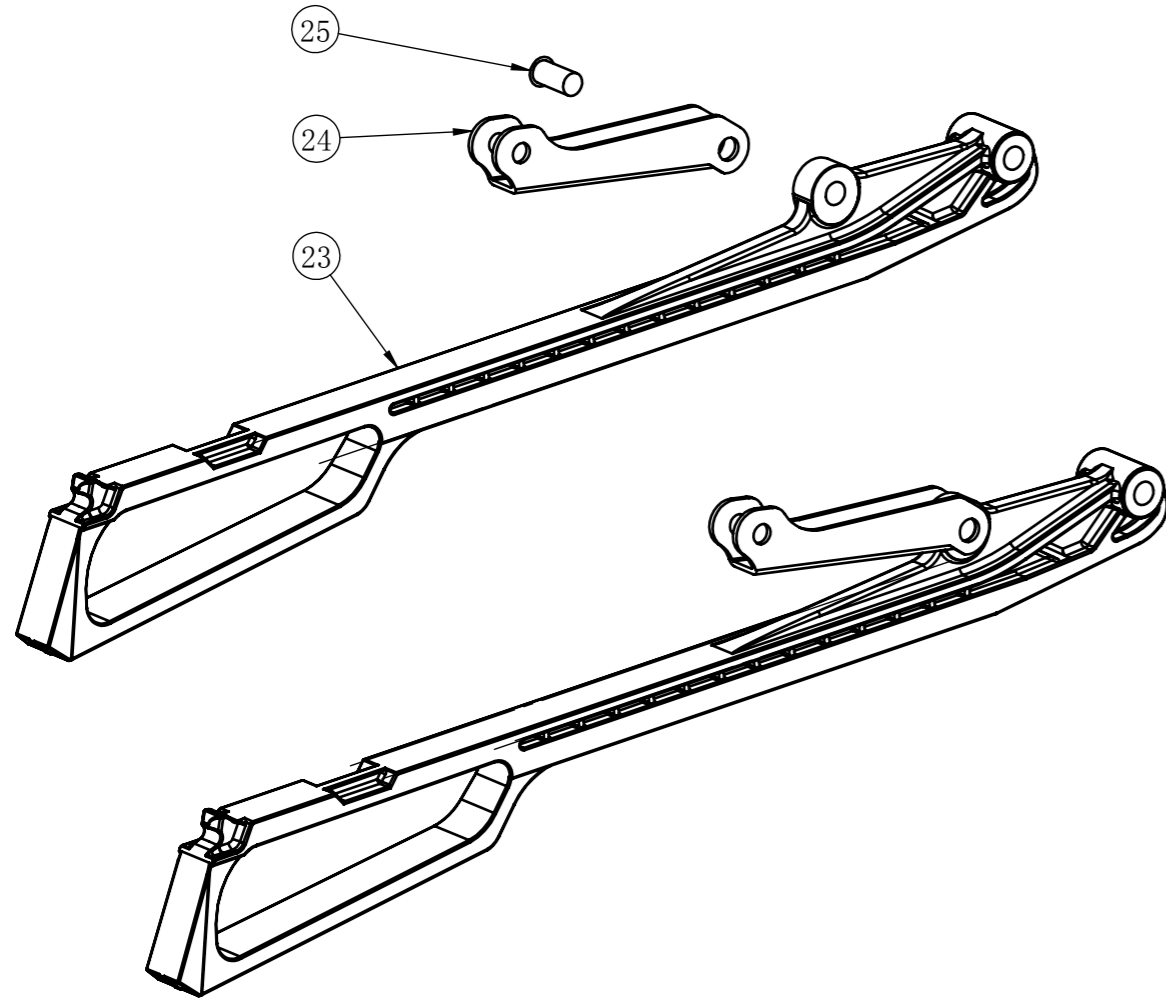
| No. | Part Name | Qty |
|-----|--------------------------------|-----|
| 1 | Valve Body | 1 |
| 2 | O-ring Chamber Seal | 3 |
| 3 | Abutment Spring | 1 |
| 4 | Chamber Seal | 1 |
| 5 | Abutment | 1 |
| 6 | Abutment Pin | 1 |
| 7 | Pump Tube | 1 |
| 8 | Valve Retainer Seal | 1 |
| 9 | Molded Valve | 1 |
| 10 | Valve Spring | 1 |
| 11 | Valve Seal Seater | 1 |
| 12 | Valve O-ring | 1 |
| 13 | Valve Retainer | 1 |
| 14 | Valve Rod Stop | 1 |
| 15 | Trigger Block | 1 |
| 16 | Sear | 1 |
| 17 | Trigger Spring | 1 |
| 18 | Trigger | 1 |
| 19 | Sear Pin | 1 |
| 20 | Grooved Pin | 1 |
| 21 | Barrel Rifled | 1 |
| 22 | Pump Frame | 1 |
| 23 | Pump Lever | 1 |
| 24 | Link Pump Lever | 1 |
| 25 | Pump Lever Pin | 1 |
| 26 | Guide Rod | 2 |
| 27 | Pump Rod Pin | 1 |
| 28 | Link Pump Lever | 1 |
| 29 | Foam Washer | 1 |
| 30 | Foam Wiper | 1 |
| 31 | Retainer | 1 |
| 32 | Pump Head Spring | 1 |
| 33 | Pump Head | 1 |
| 34 | Pump Head Pin | 1 |
| 35 | Lever Pin | 2 |
| 36 | Mid Barrel Support | 1 |
| 37 | Barrel Shroud | 1 |
| 38 | Rear Sight Blade | 1 |
| 39 | Elevator | 1 |
| 40 | Windage Screw | 1 |
| 41 | Front Sight | 1 |
| 42 | Right Forearm | 1 |
| 43 | Tapping Screw | 2 |
| 44 | Left Forearm | 1 |
| 45 | Left Receiver | 1 |
| 46 | Safety | 1 |
| 47 | Safety Spring | 1 |
| 48 | Detent Ball | 1 |
| 49 | Loading Door | 1 |
| 50 | Right Receiver | 1 |
| 51 | Magnet | 1 |
| 52 | Lever Latch Spring | 1 |
| 53 | Bolt Handle | 1 |
| 54 | Bolt | 1 |
| 55 | Bolt Seal | 2 |
| 56 | Stock | 1 |
| 57 | Grip Cap Spacer | 1 |
| 58 | Grip Cap | 1 |
| 59 | Stock Screw | 3 |
| 60 | Butt Plate Spacer | 1 |
| 61 | Butt Plate | 1 |
| 62 | Stock Nut | 1 |
| 63 | Counter Sunk Screw 4.8mm | 2 |
| 64 | Long Round Head Screw 2.6mm | 2 |
| 65 | Oval Head Screw 2.6mm | 4 |
| 66 | Counter Sunk Head Screw 2.85mm | 4 |



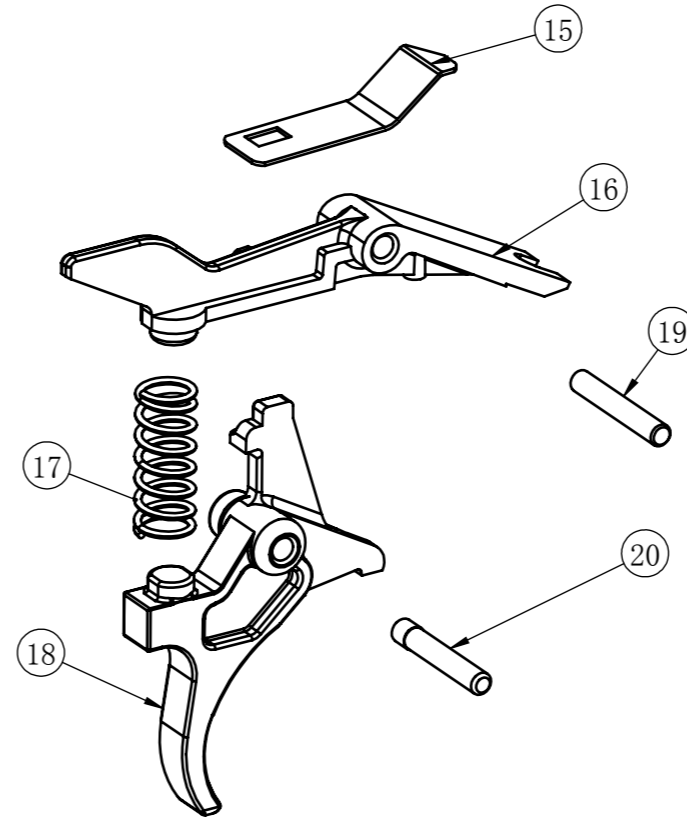
Daisy Model 1977 Exploded Diagram

Rev 04/20

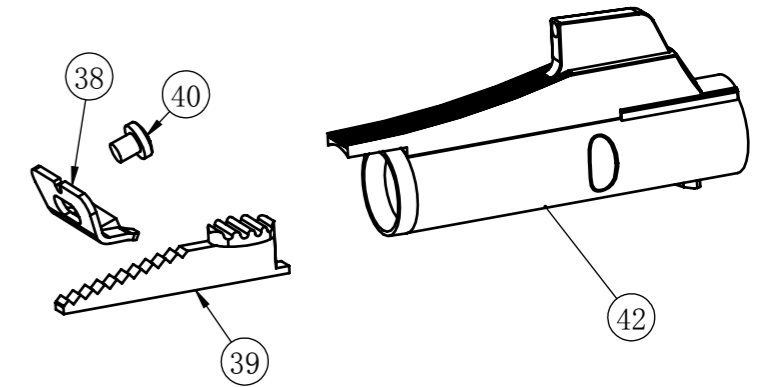
Pump lever Assembly



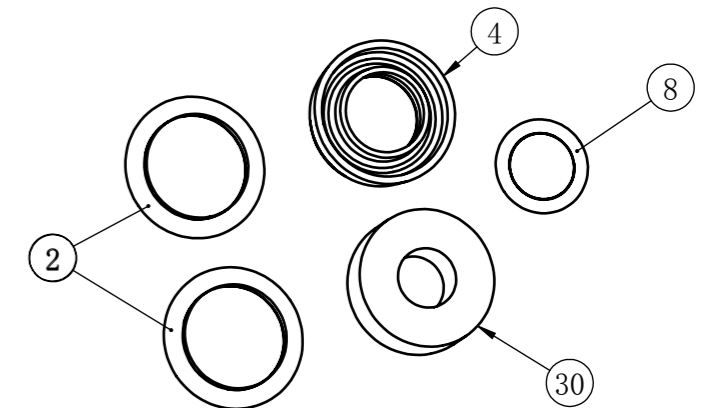
Trigger Assembly



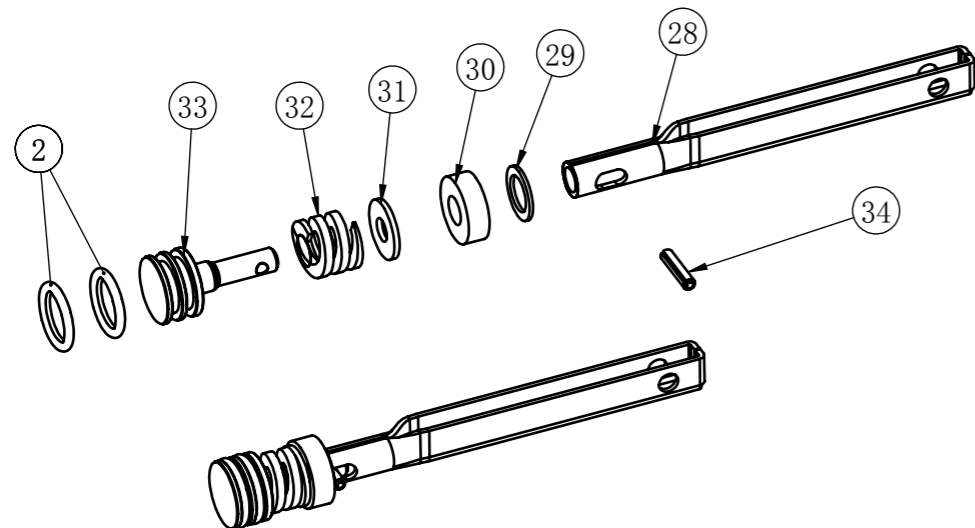
Sight Group



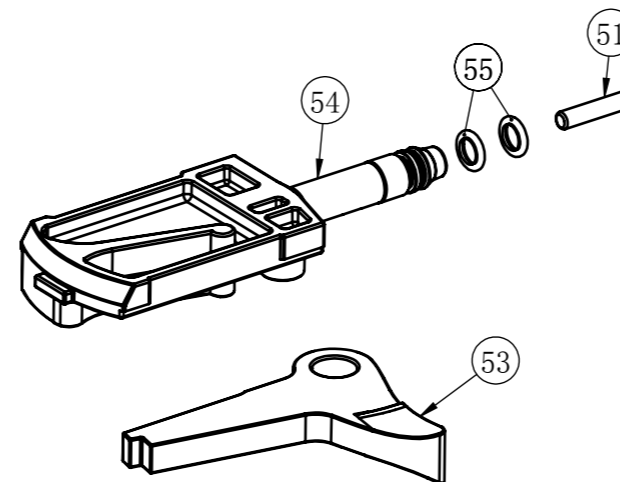
O-ring Seal Kit



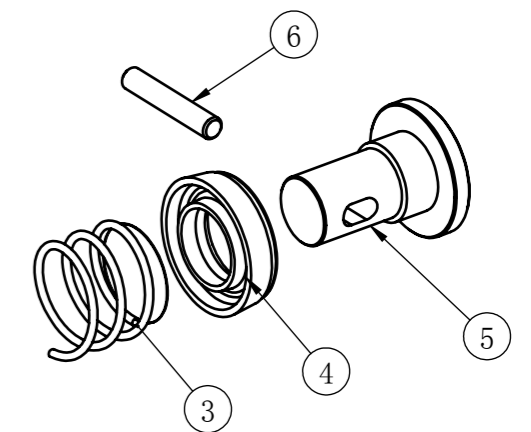
Pump head assembly



Bolt Handle Assembly



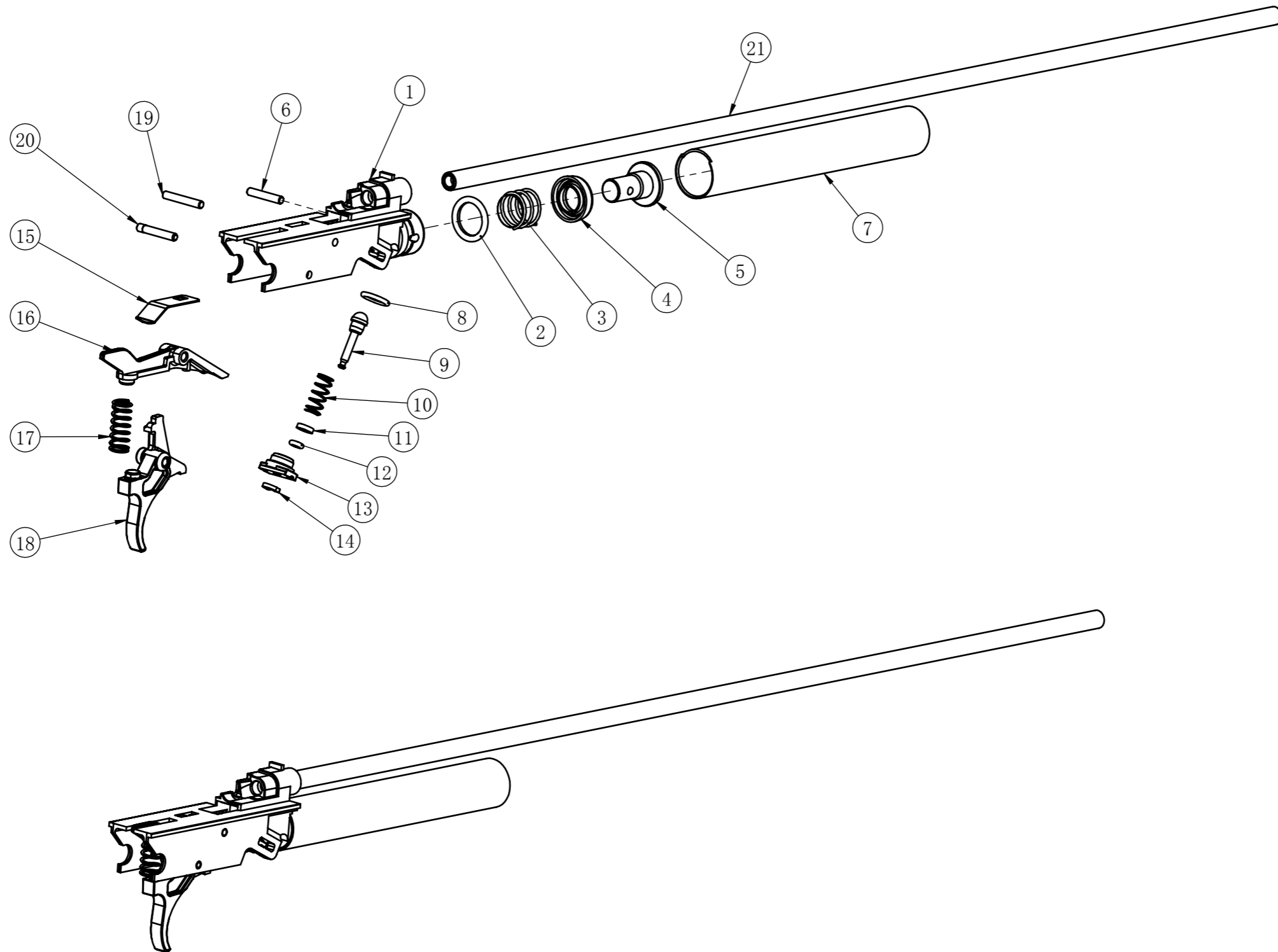
Chamber Seal Kit



Daisy Model 1977 Exploded Diagram

Rev 04/20

Valve Body / Trigger / BBL Assembly

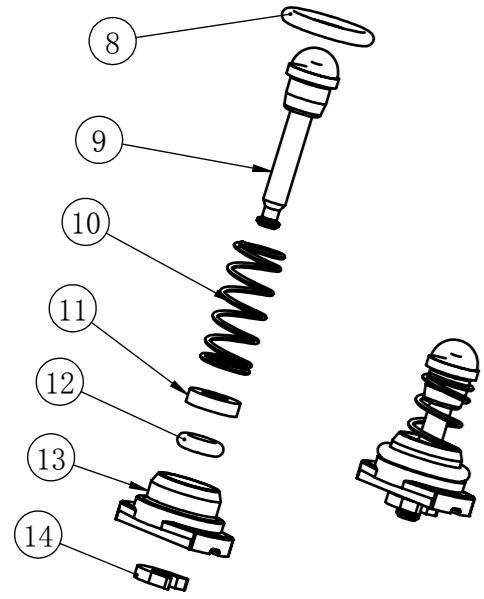




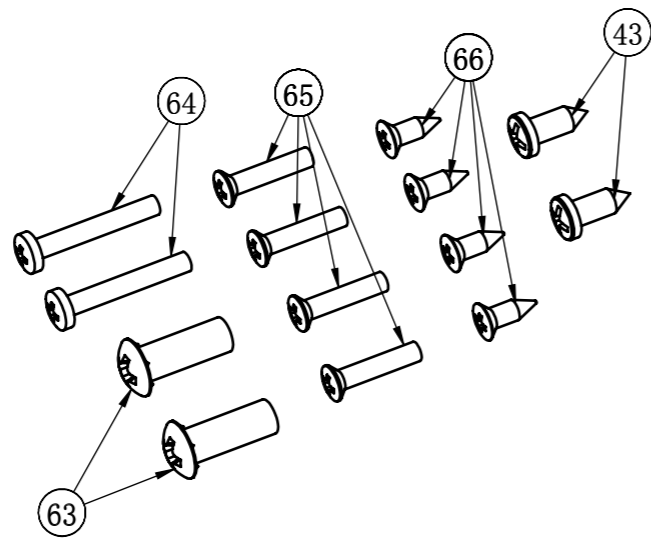
Model 1977 Exploded Diagram

Rev 04/20

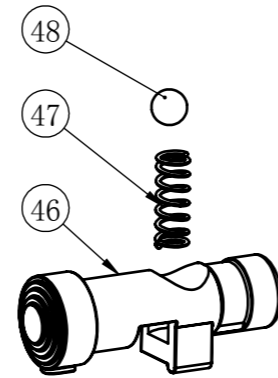
Valve Assembly



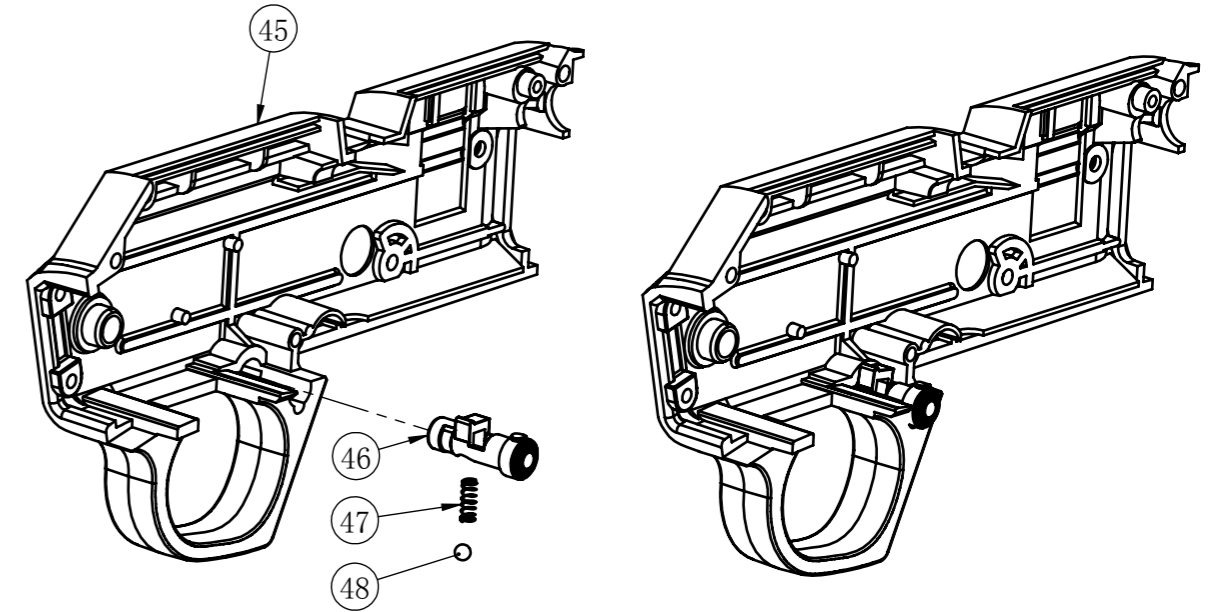
Screw Assortment



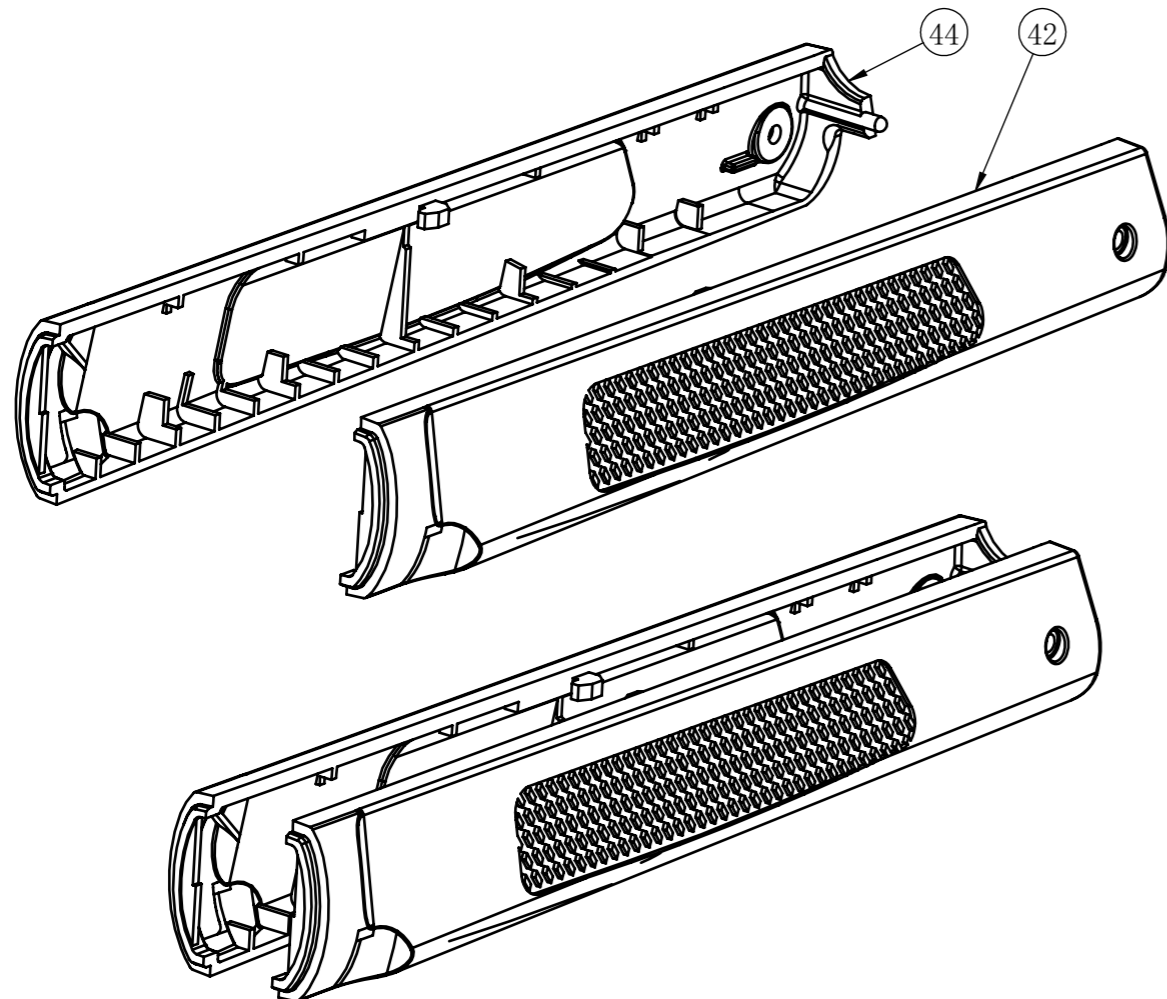
Safety Kit



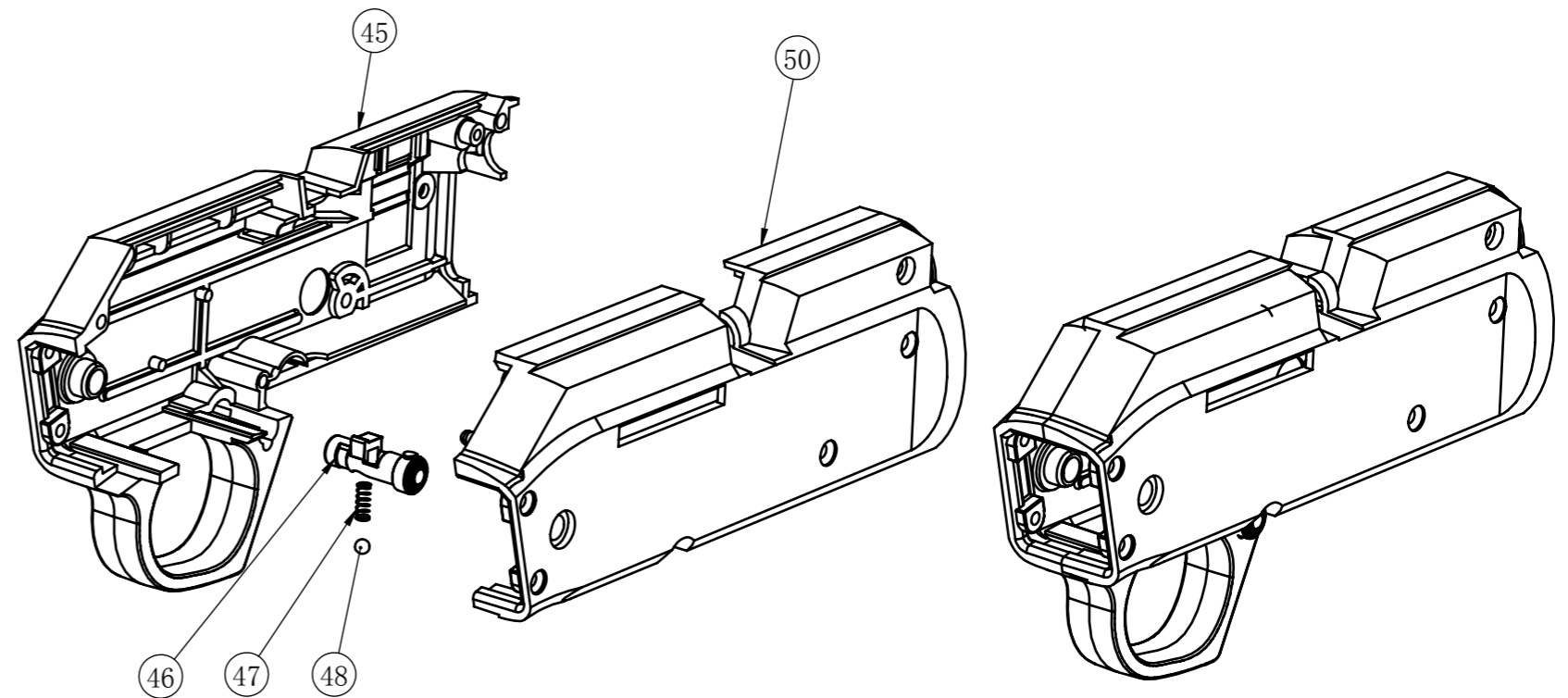
Left Receiver Left w/ Safety



Forearm Set



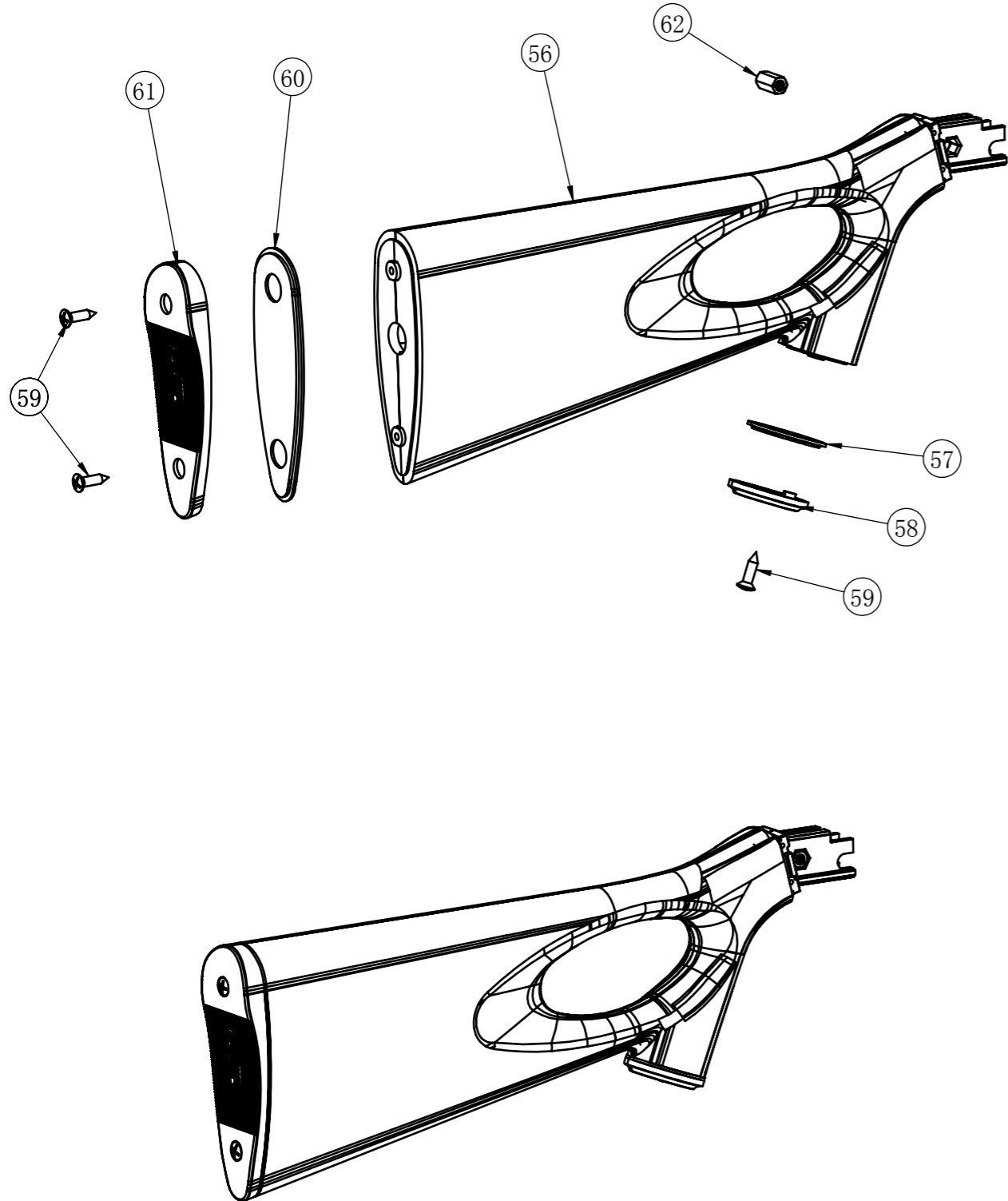
Left/Right Receiver w/Safety



Daisy Model 1977 Exploded Diagram

Rev 04/20

Stock Assembly



BBL/Pump/Forearm Assembly

