

F E D C B A

4

3

2

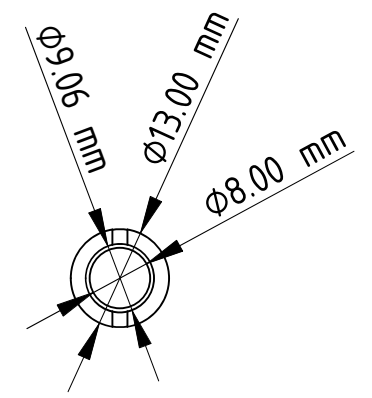
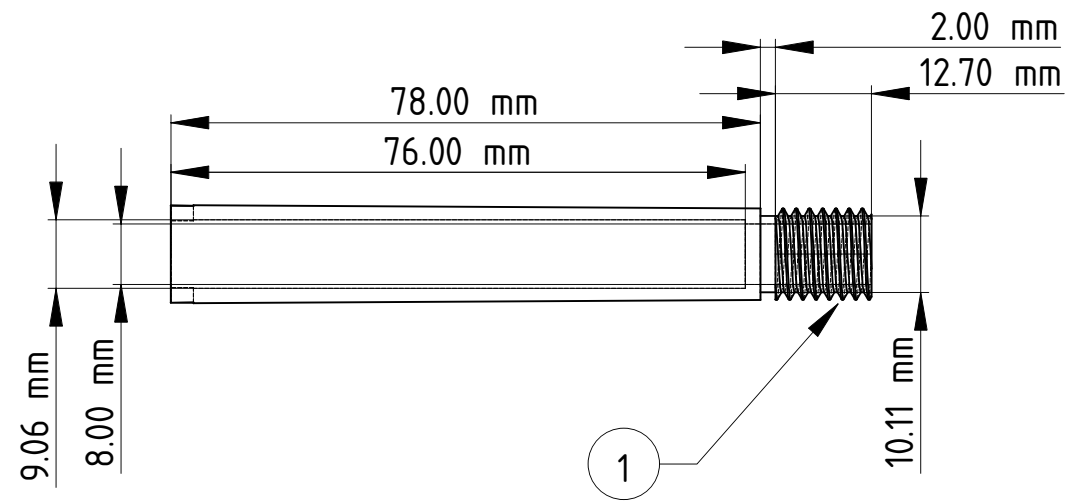
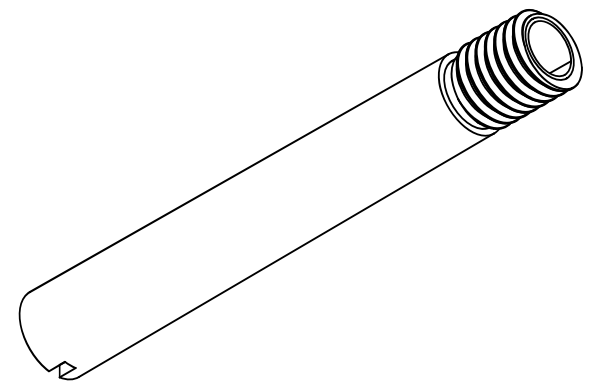
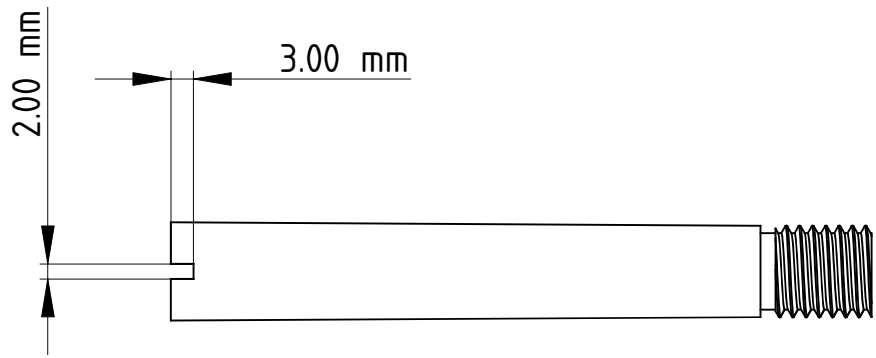
1

4

3

2

1



1. Thread M12X1.5

DESIGNED BY: Patrick B. Lawler III		Barrel Sleeve		G	—
DATE: 02/27/2023		1925, 25 cal FX STX Superior Liner		F	—
SIZE A4				E	—
SCALE 1:1	WEIGHT (kg) N/A	DRAWING NUMBER 002	SHEET 1 of 1	D	—
This drawing is our property; it can't be reproduced or communicated without our written consent.				C	—
				B	—
				A	—

F E D C B A