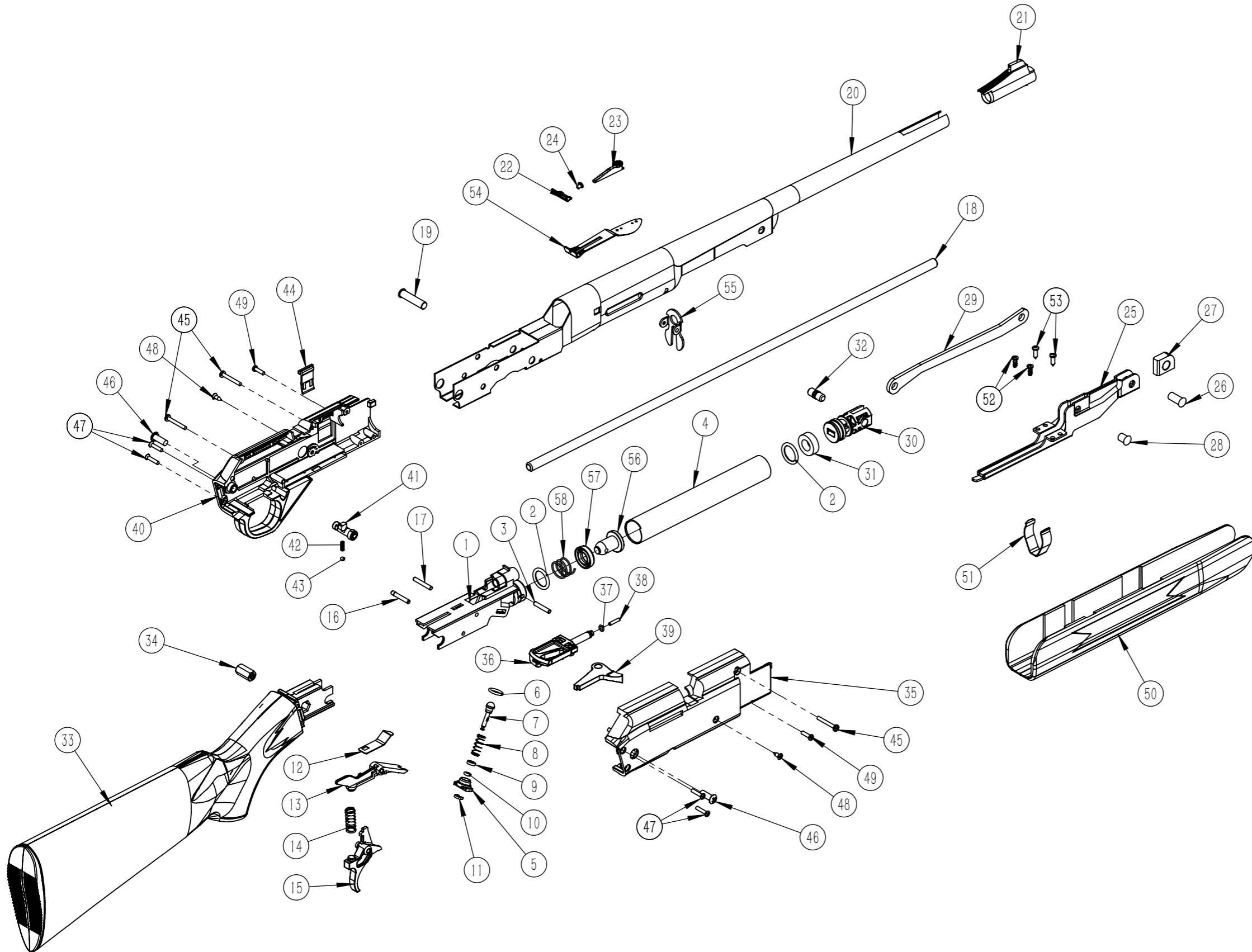


Daisy Model 35 Exploded Diagram

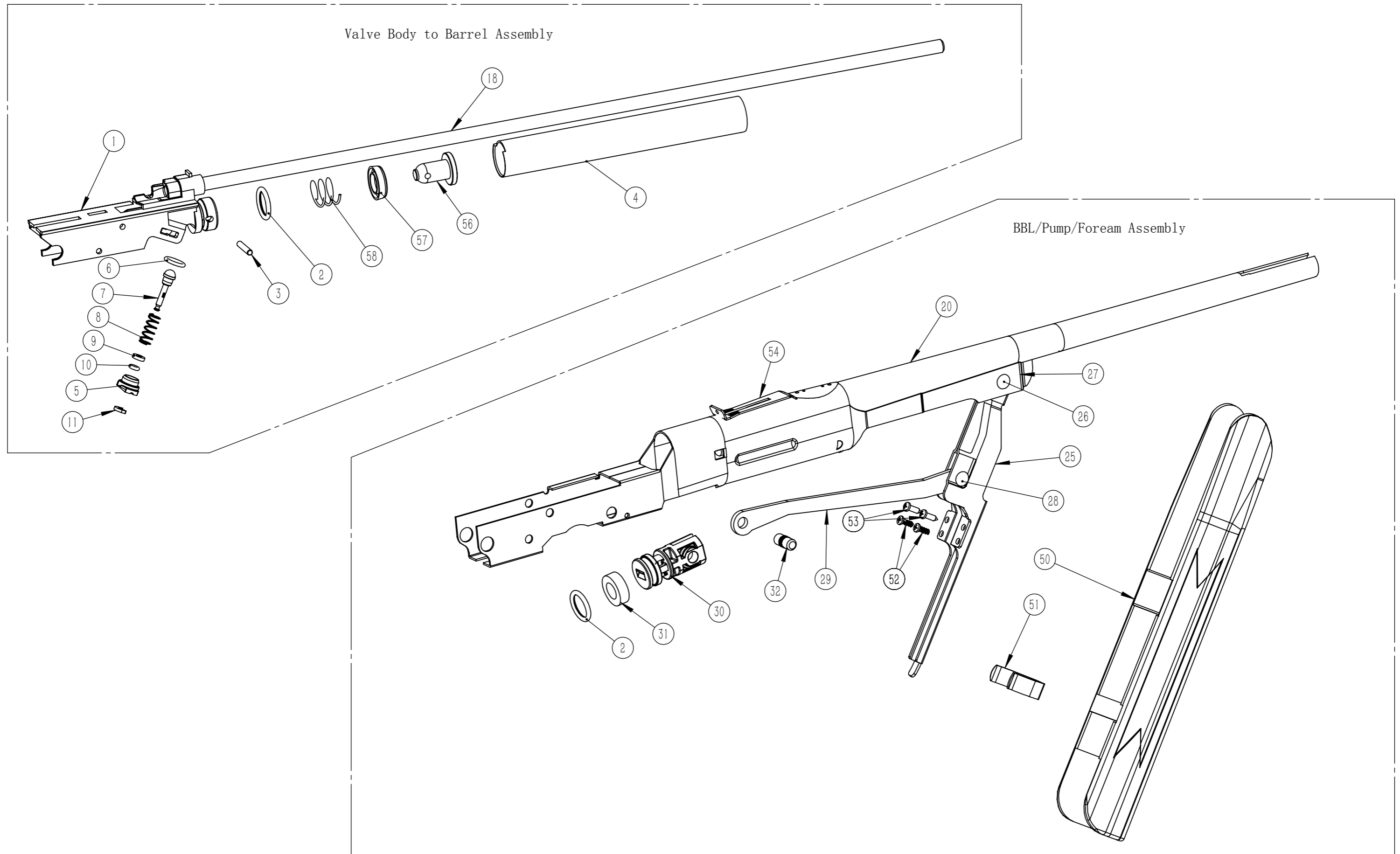
Rev 12/19



No	Part Name	Qty
1	Valve Body	1
2	Piston Seal	2
3	Check Valve Pin	1
4	Pump tube	1
5	Valve Retainer	1
6	Valve Retainer Seal	1
7	Molded Valve	1
8	Valve Spring	1
9	Valve Seal Seater	1
10	Valve O-ring	1
11	Valve Rod Stop	1
12	Trigger Block	1
13	Sear	1
14	Trigger Spring	1
15	Trigger	1
16	Grooved Pin	1
17	Sear Pin	1
18	Barrel	1
19	Pump Frame Pin	1
20	Shroud	1
21	Front Sight	1
22	Rear Sight Blade	1
23	Elevator	1
24	Rear Sight Blade Screw	1
25	Pump Lever	1
26	Pin (pump lever)	1
27	Pump Lever Plate	1
28	Pin (pump lever link)	1
29	Pump Lever Link	1
30	Piston	1
31	Wiper	1
32	Piston pin	1
33	Stock	1
34	Stock Nut	1
35	Right Receiver	1
36	Bolt	1
37	Bolt Seal	1
38	Magnet	1
39	Bolt Handle	1
40	Left Receiver	1
41	Safety	1
42	Safety Spring	1
43	Detent Ball	1
44	Loading Door	1
45	Long Round Head Screw 2.6mm	3
46	Conter Snk Head Screw 4.8mm	2
47	Oval Head Screw 2.6mm	4
48	Counter Sunk Head Screw 2.85mm	2
49	Round Head Screw	2
50	Forend	1
51	Spring Block	1
52	Pump Lever Screw	2
53	Self Taping Screw	2
54	Rear Sight	1
55	Supporting Block	1
56	Abutment	1
57	Bowl seal ring	1
58	Check Valve Spring	1

Daisy Model 35 Exploded Diagram

Rev 12/19



Daisy Model 35 Exploded Diagram

Rev 12/19

