

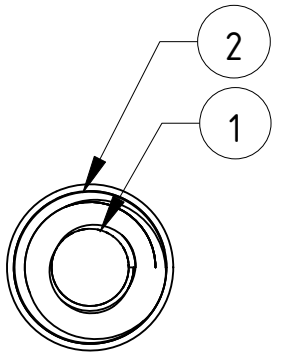
F E D C B A

4

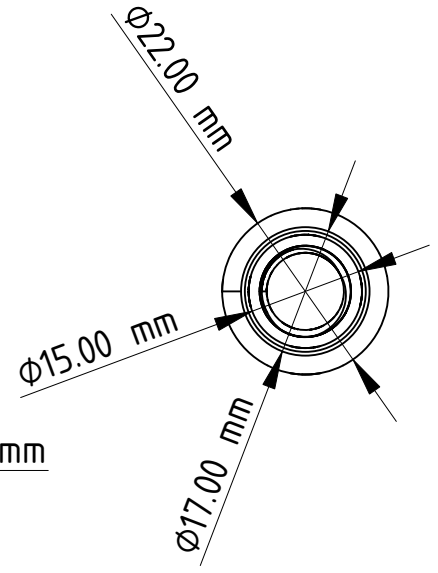
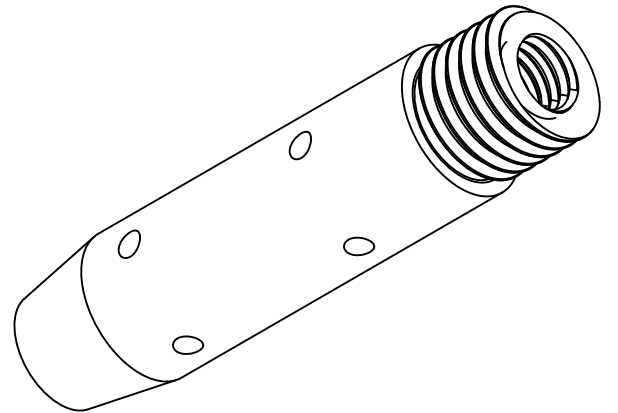
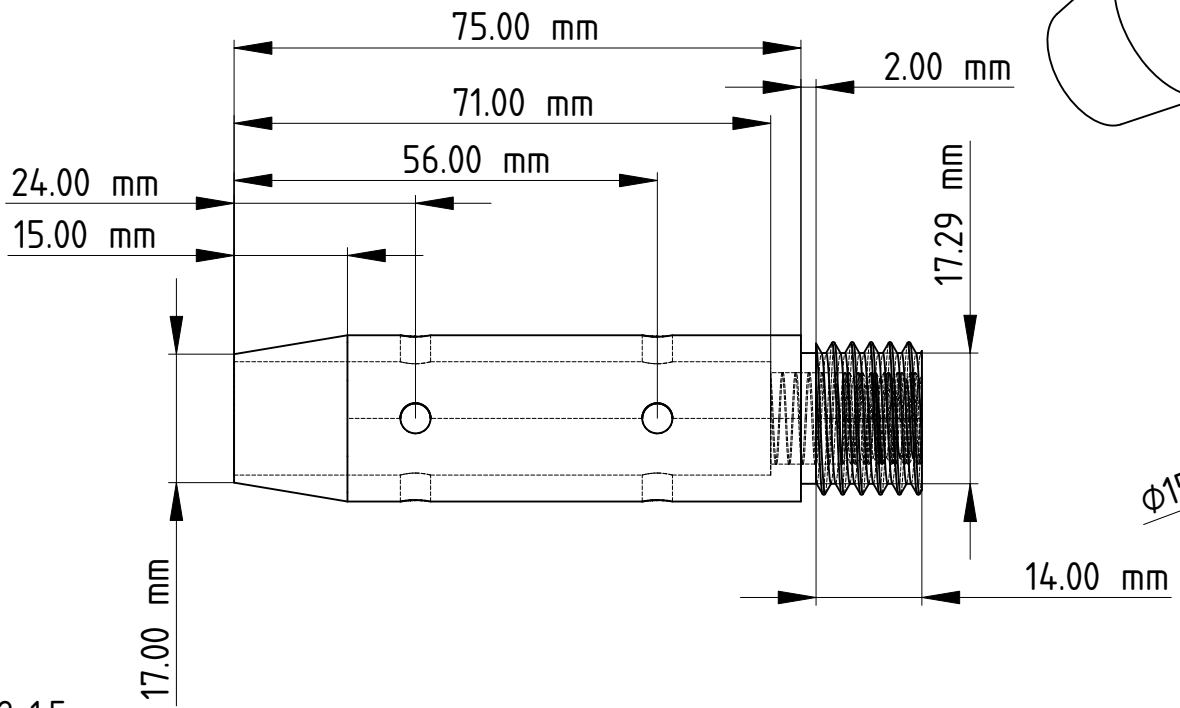
3

2

1



- 1. Drill and tap M12x1.5
- 2. Thread M20x1.5



4

3

2

1

DESIGNED BY: Patrick B. Lawler III		Daisy Muzzle Adapter		G	—
DATE: 03/05/2023		Shroud Sleeve		F	—
SIZE A4				E	—
				D	—
SCALE 1:1	WEIGHT (kg) N/A	DRAWING NUMBER 003	SHEET 1 of 1	C	—
This drawing is our property; it can't be reproduced or communicated without our written consent.				B	—
				A	—

F E D