

F

E

D

C

B

A

4

4

3

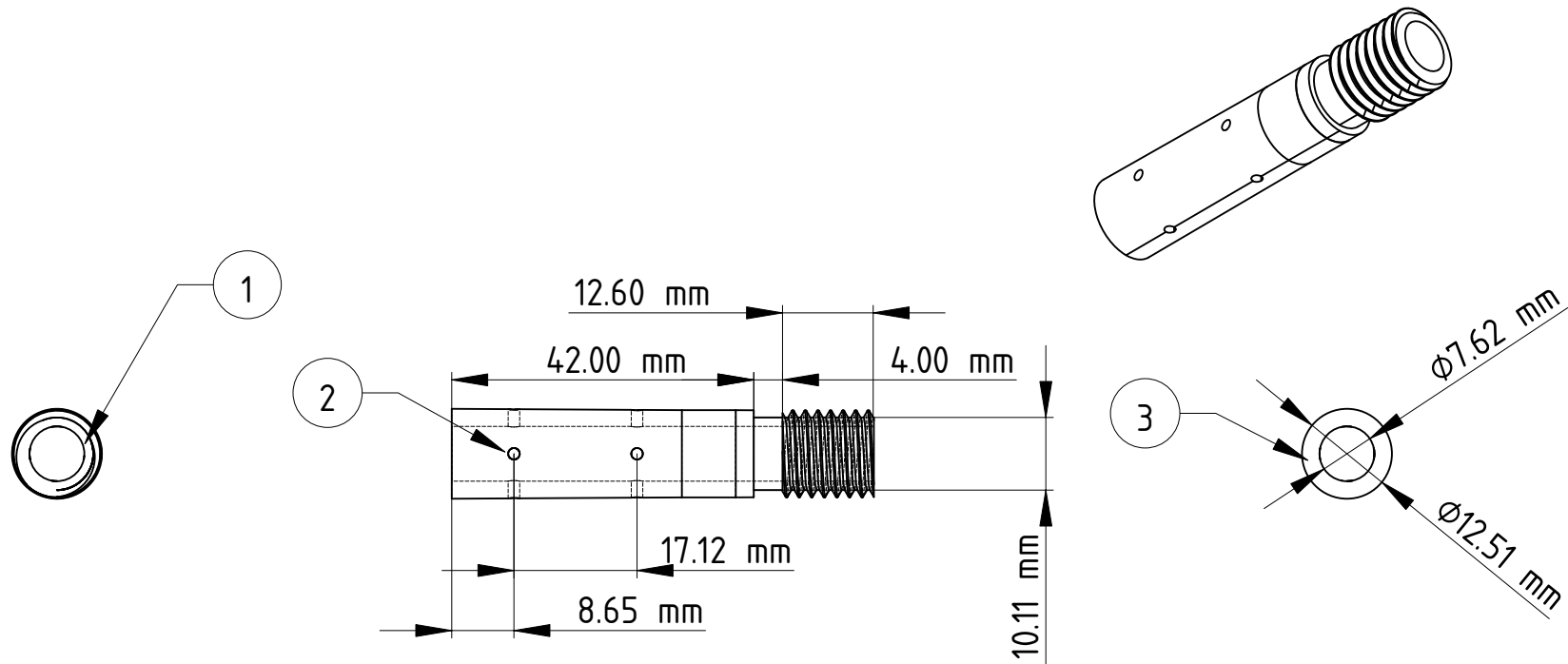
3

2


2

1

1



1. Thread M12-1.5
2. Drill thru and tap M2-0.4 8 places (use 2mm long set screws)
3. Drill thru entire length 7.62mm or 0.300" (Slip fit to barrel)

DESIGNED BY: Patrick B. Lawler III		Daisy Muzzle Adapter		G	—
DATE: 03/07/2023		Barrel Sleeve		F	—
SIZE A4				E	—
SCALE 1:1	WEIGHT (kg) N/A			DRAWING NUMBER 004	SHEET 1 of 1
This drawing is our property; it can't be reproduced or communicated without our written consent.				C	—
				B	—
				A	—

F

E

D